

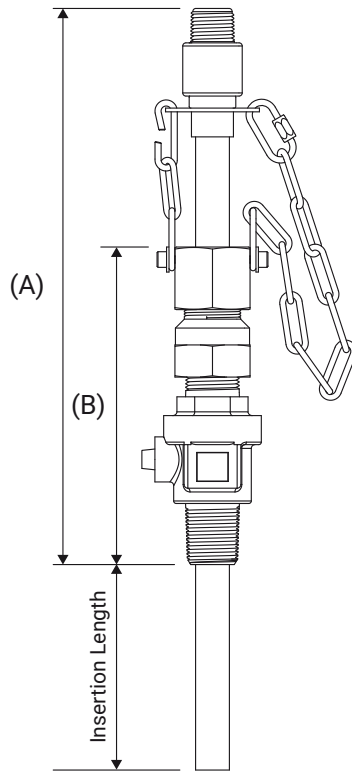
# EB-130

## Standard Service Retractable Injection Quill 3/4" Valve x 3/8" Tube



### SPECIFICATIONS

SAFETY RATING	150 PSI
CHECK VALVE	N/A
SAF-T-SEAL TIP	OPTIONAL
QUICK DISCONNECT	N/A
VALVE/PROCESS CONNECTION SIZE	3/4" MNPT
INLET CONNECTION SIZE	1/2" MNPT - PVC, CPVC 3/8" MNPT - Alloy
SOLUTION TUBE SIZE	3/8"
SOLUTION TUBE ID (PVC, CPVC, & SAF-T-SEAL ALLOY)	0.423"
SOLUTION TUBE ID (NON-SAF-T-SEAL ALLOY)	0.493"
SOLUTION TUBE OD (ALL)	0.675"
(A) OPERATING LENGTH	11.25" - BRASS 12" - STAINLESS STEEL
(B) VALVE/GLAND LENGTH	6.5" - BRASS 7.25" - STAINLESS STEEL
EXTRACTED LENGTH	A + B + INSERTION LENGTH



### ORDERING INFORMATION

SERIES	VALVE MATERIAL	SOLUTION TUBE MATERIAL	INSERTION LENGTH	TIP CONFIGURATION
EB-130				
	<b>B</b> = Brass <b>S</b> = Stainless Steel	<b>P</b> = PVC <b>C</b> = CPVC <b>H</b> = Alloy C276 <b>S</b> = 316SS <b>A</b> = Alloy 20 <b>T</b> = Titanium Gr. 2	<b>2</b> = 2" <b>4</b> = 4" <b>6</b> = 6" <u>Alloy Tubes Only</u> <b>8</b> = 8" <b>10</b> = 10" <b>12</b> = 12" <b>18</b> = 18" <b>24</b> = 24"	<b>0</b> = Standard <b>B</b> = 45° Bevel <b>CE</b> = SAF-T-Seal Tip EPDM <b>CV</b> = SAF-T-Seal Tip FKM

### TECH NOTES

1. Main connection is NPT by default. CC (AWWA) is also available. Consult factory for details.
2. The maximum insertion length for 3/8" PVC and CPVC solution tubes is 6". PVC and CPVC solution tubes are not covered by warranty when used in process flows with velocities 6 fps or greater.
3. SAF-T-Seal tip is not available with selection of Titanium for the solution tube material.